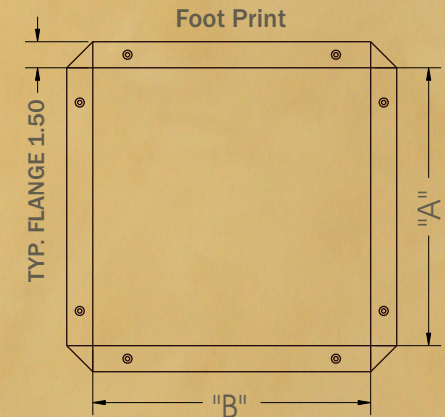
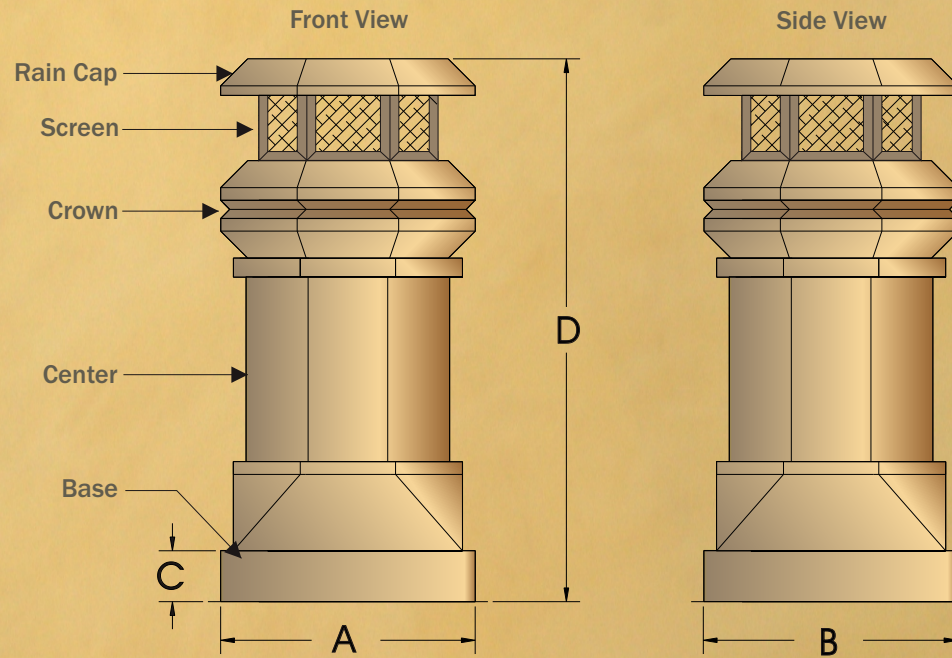




THE COPPER SHOP

Hand Crafted Copper Products

The Tudor has been designed specifically for English and European country homes. This architecture has been popular in the United States since the 1920's and continues to be a mainstay.



Features:

- Removable Rain Cap (brass fasteners).
- Rigid Screen Frame
- 1 1/2" mtg Flange for easy install
- Will cover a multitude of pipes and termination caps
- Engineered to withstand Gail Force winds
- Improves chimney performance
- Light Weight and will not rust
- Prevent animals from entry and nesting
- Offered in Shiny, Burnished, and Patina finishes
- High Temp Models Available

Unit Specifications:

Model Number	A	B	C	D	Weight	Air Flow	Screen	Footprint	Round Pipe Max.	Sq. Liner Max.	Sug. Retail
16 x 16 x 36	16	16	4	36	24	156" sq.	Woven Cu	16 x 16+Flange	15in	15 x 15	\$1692.00
16 x 16 x 43	16	16	4	43	25	156" sq.	Woven Cu	16 x 16+Flange	15in	15 x 15	\$1750.00
16 x 20 x 36	16	20	4	36	24	166" sq.	Woven Cu	16 x 20+Flange	15in	15 x 19	\$1792.45
16 x 20 x 43	16	20	4	43	26	166" sq.	Woven Cu	16 x 20+Flange	15in	15 x 19	\$1839.62
20 x 20 x 36	20	20	4	36	27	271" sq.	Woven Cu	20 x 20+Flange	19in	19 x 19	\$1933.96
20 x 20 x 43	20	20	4	43	30	271" sq.	Woven Cu	20 x 20+Flange	19in	19 x 19	\$1981.13
25 x 25 x 52	25	25	5	52	37	469" sq.	Woven Cu	25 x 25+Flange	24in	24 x 24	\$2433.96

All Copper Shop products can be special ordered and customized to fit your application. We guarantee our craftsmanship and provide a limited warranty with all product. Product dimensions and information subject to change without notice.